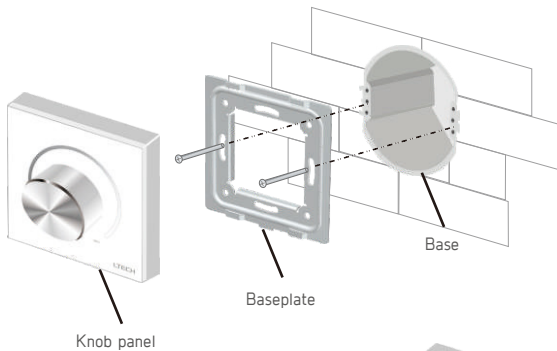


# LED Dimmer DALI Knob - E6-DA1



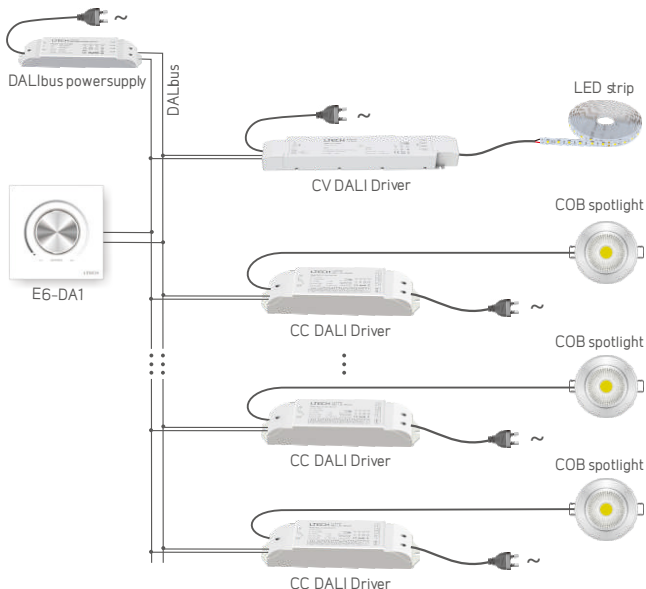
## Installation instruction



Typical base as follow:



## Wiring diagram



## General

Product Type	Controller
Length (mm)	86
Width (mm)	86
Height (mm)	50
Housing Color	White
Housing Material	PC
Mounting	Built-in
Weight (g)	240

## Electronics

Input Domain	DC
Input Voltage	BUS Power

## Lighting

Color Range	Single Color
-------------	--------------

## Control

Output Signal	DALI-1
Control	Manual
Driver Configuration	Dip Switches
Number of Channels	1
Functions	Wall-mount

## Environmental

Operating Temperature	-20 ~ +50 3C
Ingress Protection	IP20

