

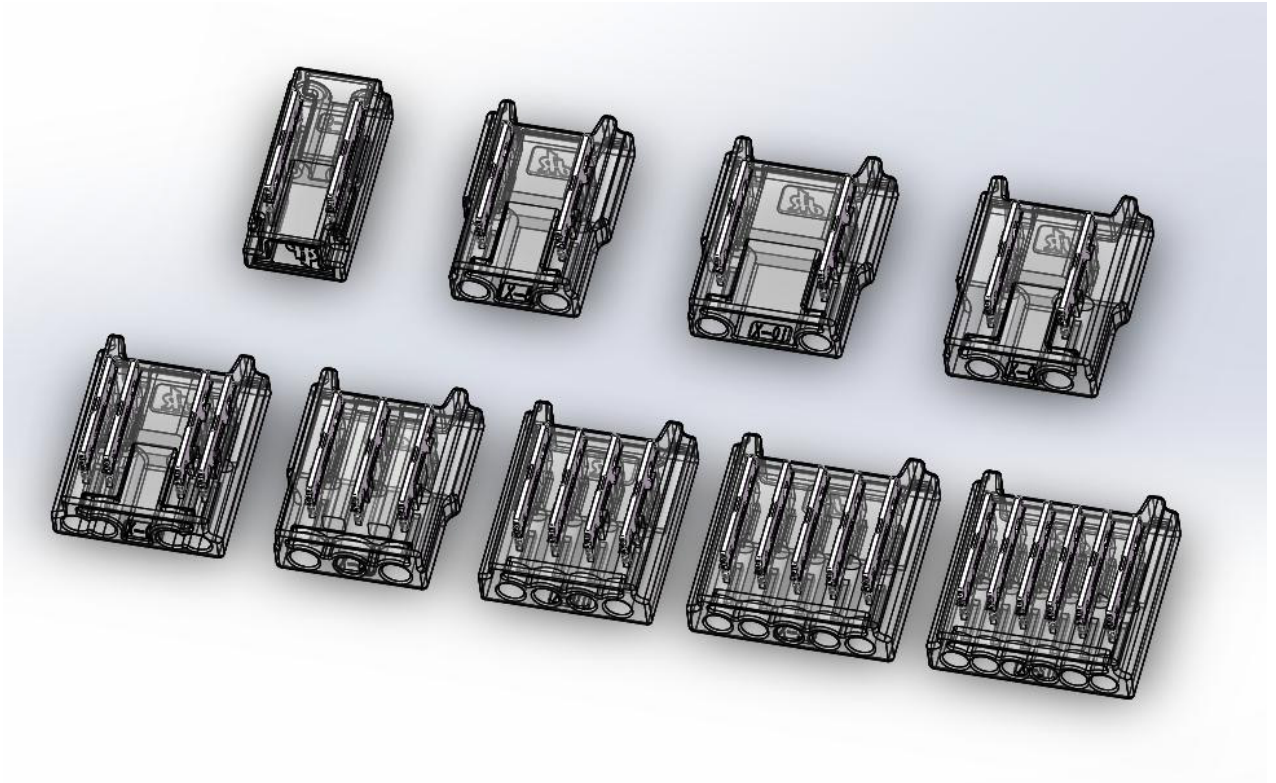
Content

IP20 Mini Crystal Series

NO.	ITEM NO.	NO.	ITEM NO.	NO.	ITEM NO.	NO.	ITEM NO.
1#	AL-S-SC-2PIN-5MM-B	2#	AL-S-SC-2PIN-5MM-A	3#	AL-S-SC-2PIN-5MM-C	4#	AL-S-SC-2PIN-5MM-D
5#	AL-S-SC-3PIN-5MM-B	6#	AL-S-SC-3PIN-5MM-A	7#	AL-S-SC-3PIN-5MM-C	8#	AL-S-SC-3PIN-5MM-D
9#	AL-S-SC-2PIN-8MM-B	10#	AL-S-SC-2PIN-8MM-A	11#	AL-S-SC-2PIN-8MM-C	12#	AL-S-SC-2PIN-8MM-D
13#	AL-S-SC-3PIN-8MM-B	14#	AL-S-SC-3PIN-8MM-A	15#	AL-S-SC-3PIN-8MM-C	16#	AL-S-SC-3PIN-8MM-D
17#	AL-S-SC-4PIN-8MM-B	18#	AL-S-SC-4PIN-8MM-A	19#	AL-S-SC-4PIN-8MM-C	20#	AL-S-SC-4PIN-8MM-D
21#	AL-S-SC-2PIN-10MM-B	22#	AL-S-SC-2PIN-10MM-A	23#	AL-S-SC-2PIN-10MM-C	24#	AL-S-SC-2PIN-10MM-D
25#	AL-S-SMD-2PIN-10MM-B	26#	AL-S-SMD-2PIN-10MM-A	27#	AL-S-SMD-2PIN-10MM-C	28#	AL-S-SMD-2PIN-10MM-D
29#	AL-S-SMD-3PIN-10MM-B	30#	AL-S-SMD-3PIN-10MM-A	31#	AL-S-SMD-3PIN-10MM-C	32#	AL-S-SMD-3PIN-10MM-D
33#	AL-S-COB-3PIN-10MM-B	34#	AL-S-COB-4PIN-10MM-A	35#	AL-S-COB-3PIN-10MM-C	36#	AL-S-COB-4PIN-10MM-D
37#	AL-S-COB-4PIN-10MM-B	34#	AL-S-COB-4PIN-10MM-A	38#	AL-S-COB-4PIN-10MM-C	36#	AL-S-COB-4PIN-10MM-D
39#	AL-S-SMD-4PIN-10MM-B	40#	AL-S-SMD-4PIN-10MM-A	41#	AL-S-SMD-4PIN-10MM-C	42#	AL-S-SMD-4PIN-10MM-D
43#	AL-S-SMD-5PIN-10MM-B	44#	AL-S-SMD-5PIN-10MM-A	45#	AL-S-SMD-5PIN-10MM-C	46#	AL-S-SMD-5PIN-10MM-D
47#	AL-S-SMD-2PIN-12MM-B	48#	AL-S-SMD-2PIN-12MM-A	49#	AL-S-SMD-2PIN-12MM-C	50#	AL-S-SMD-2PIN-12MM-D
51#	AL-S-SMD-3PIN-12MM-B	52#	AL-S-SMD-3PIN-12MM-A	53#	AL-S-SMD-3PIN-12MM-C	54#	AL-S-SMD-3PIN-12MM-D
55#	AL-S-SC-4PIN-12MM-B	56#	AL-S-SC-4PIN-12MM-A	57#	AL-S-SC-4PIN-12MM-C	58#	AL-S-SC-4PIN-12MM-D
59#	AL-S-SMD-5PIN-12MM-B	60#	AL-S-SMD-5PIN-12MM-A	61#	AL-S-SMD-5PIN-12MM-C	62#	AL-S-SMD-5PIN-12MM-D
63#	AL-S-COB-5PIN-12MM-B	64#	AL-S-COB-5PIN-12MM-A	65#	AL-S-COB-5PIN-12MM-C	66#	AL-S-COB-5PIN-12MM-D
67#	AL-S-SMD-6PIN-12MM-B	68#	AL-S-SMD-6PIN-12MM-A	69#	AL-S-SMD-6PIN-12MM-C	70#	AL-S-SMD-6PIN-12MM-D
115#	AL-S-SC-2PIN-8MM-E	116#	AL-S-SMD-6PIN-12MM-E				

Waterproof Series

NO.	ITEM NO.	NO.	ITEM NO.	NO.	ITEM NO.
71#	AL-IP-SC-2PIN-8MM-B	72#	AL-IP-SC-2PIN-8MM-A	73#	AL-IP-SC-2PIN-8MM-C
74#	AL-IP-SC-3PIN-8MM-B	75#	AL-IP-SC-3PIN-8MM-A	76#	AL-IP-SC-3PIN-8MM-C
77#	AL-IP-SC-2PIN-10MM-B	78#	AL-IP-SC-2PIN-10MM-A	79#	AL-IP-SC-2PIN-10MM-C
80#	AL-IP-SMD-2PIN-10MM-B	81#	AL-IP-SMD-2PIN-10MM-A	82#	AL-IP-SMD-2PIN-10MM-C
83#	AL-IP-SMD-3PIN-10MM-B	84#	AL-IP-SMD-3PIN-10MM-A	85#	AL-IP-SMD-3PIN-10MM-C
86#	AL-IP-COB-3PIN-10MM-B	87#	AL-IP-COB-4PIN-10MM-A	88#	AL-IP-COB-3PIN-10MM-C
89#	AL-IP-COB-4PIN-10MM-B	87#	AL-IP-COB-4PIN-10MM-A	90#	AL-IP-COB-4PIN-10MM-C
91#	AL-IP-SMD-4PIN-10MM-B	92#	AL-IP-SMD-4PIN-10MM-A	93#	AL-IP-SMD-4PIN-10MM-C
94#	AL-IP-SMD-5PIN-10MM-B	95#	AL-IP-SMD-5PIN-10MM-A	96#	AL-IP-SMD-5PIN-10MM-C
97#	AL-IP-SMD-2PIN-12MM-B	98#	AL-IP-SMD-2PIN-12MM-A	99#	AL-IP-SMD-2PIN-12MM-C
100#	AL-IP-SMD-3PIN-12MM-B	101#	AL-IP-SMD-3PIN-12MM-A	102#	AL-IP-SMD-3PIN-12MM-C
103#	AL-IP-SC-4PIN-12MM-B	104#	AL-IP-SC-4PIN-12MM-A	105#	AL-IP-SC-4PIN-12MM-C
106#	AL-IP-COB-5PIN-12MM-B	107#	AL-IP-COB-5PIN-12MM-A	108#	AL-IP-COB-5PIN-12MM-C
109#	AL-IP-SMD-5PIN-12MM-B	110#	AL-IP-SMD-5PIN-12MM-A	111#	AL-IP-SMD-5PIN-12MM-C
112#	AL-IP-SMD-6PIN-12MM-B	113#	AL-IP-SMD-6PIN-12MM-A	114#	AL-IP-SMD-6PIN-12MM-C



Specification for Mini Crystal LED Strip Connector

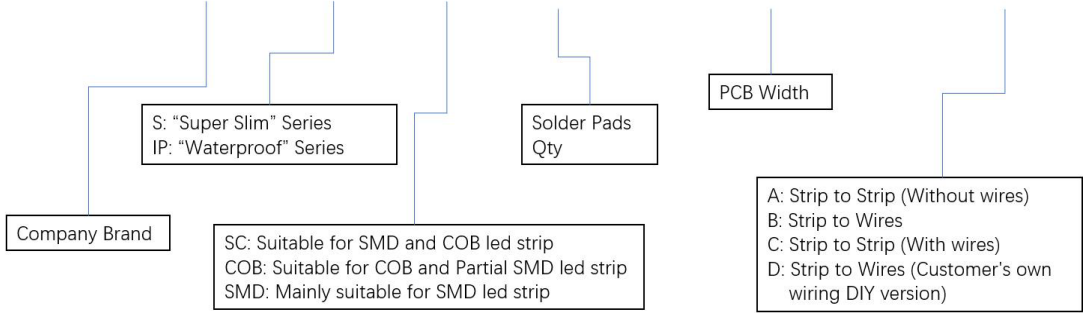
Strip to Wires DIY Series

2022.V4 Edition

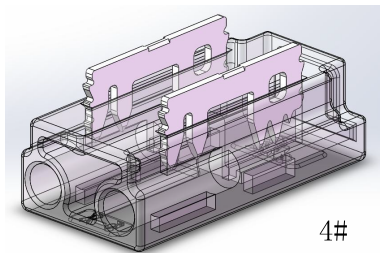
Mini Crystal LED strip connector is a transparent PC material connector, mainly suitable for IP20 COB & SMD strip with matching pads. It has the characteristics of reliable connection, invisible seamless lighting, perfect solution for aluminum profile application, and DIY connection without stripping.

1. Naming Rules

AL-S-SC-2PIN-5MM-D

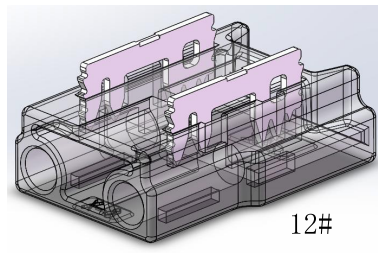


2. Item No.



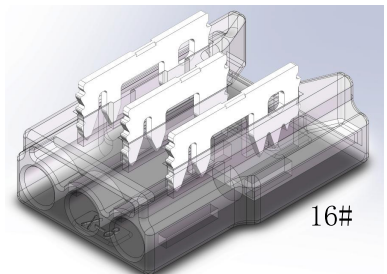
Item No: AL-S-SC-2PIN-5MM-D

Strip-to-Wires, mainly suitable for IP20 COB & SMD strips, 5mm width PCB, 2PIN single color



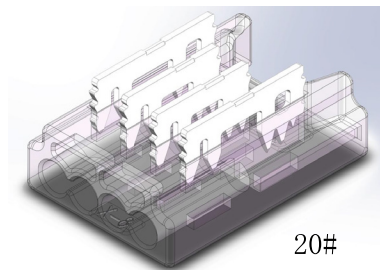
Item No: AL-S-SC-2PIN-8MM-D

Strip-to-Wires, mainly suitable for IP20 COB & SMD strips, 8mm width PCB, 2PIN single color



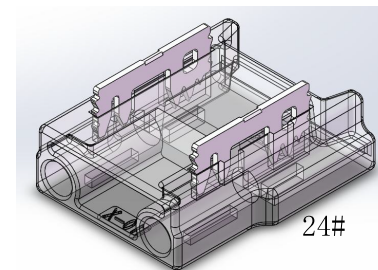
Item No: AL-S-SMD-3PIN-8MM-D

Strip-to-Wires, mainly suitable for IP20 SMD strips, 8mm width PCB, 3PIN CCT color



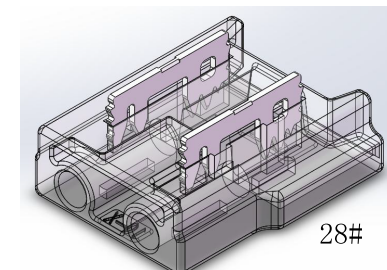
Item No: AL-S-SMD-4PIN-8MM-D

Strip-to-Wires, mainly suitable for IP20 SMD strips, 8mm width PCB, 4PIN RGB color



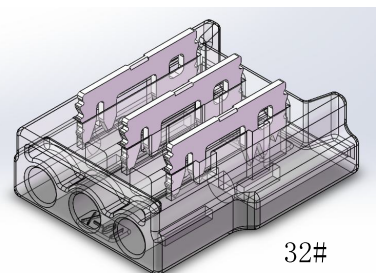
Item No: AL-S-SC-2PIN-10MM-D

Strip-to-Wires, mainly suitable for IP20 COB & SMD strips, 10mm width PCB, 2PIN single color



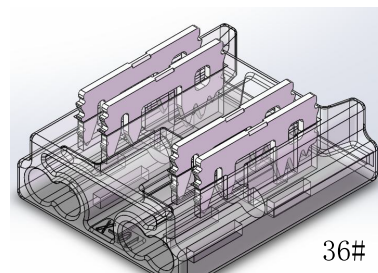
Item No: AL-S-SMD-2PIN-10MM-D

Strip-to-Wires, mainly suitable for IP20 SMD strips, 10mm width PCB, 2PIN single color



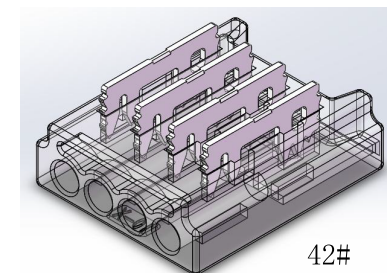
Item No: AL-S-SMD-3PIN-10MM-D

Strip-to-Wires, mainly suitable for IP20 SMD strips, 10mm width PCB, 3PIN CCT color



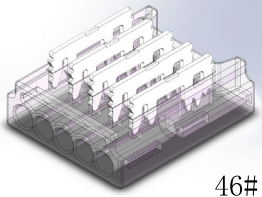
Item No: AL-S-COB-4PIN-10MM-D

Strip-to-Wires, mainly suitable for Tunable CCT and RGB COB strips, 10mm width PCB



Item No: AL-S-SMD-4PIN-10MM-D

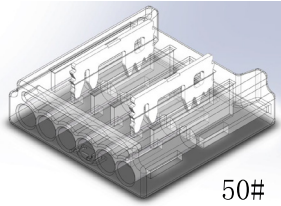
Strip-to-Wires, mainly suitable for IP20 SMD strips, 10mm width PCB, 4PIN RGB color



46#

Item No: AL-S-SMD-5PIN-10MM-D

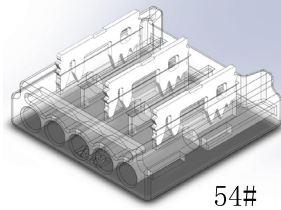
Strip-to-Wires, mainly suitable for IP20 SMD strips, 10mm width PCB, 5PIN RGBW strip



50#

Item No: AL-S-SMD-2PIN-12MM-D

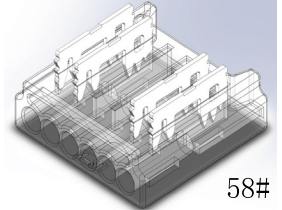
Strip-to-Wires, mainly suitable for IP20 SMD strips, 12mm width PCB, 2PIN single strip



54#

Item No: AL-S-SMD-3PIN-12MM-D

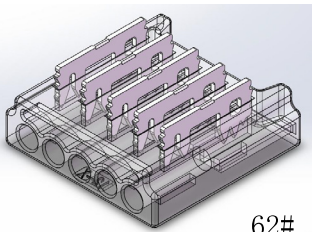
Strip-to-Wires, mainly suitable for IP20 SMD strips, 12mm width PCB, 3PIN Tunable CCT strip



58#

Item No: AL-S-SC-4PIN-12MM-D

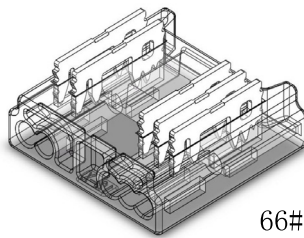
Strip-to-Wires, mainly suitable for IP20 COB & SMD strips, 12mm width PCB, 4PIN RGB color



62#

Item No: AL-S-SMD-5PIN-12MM-D

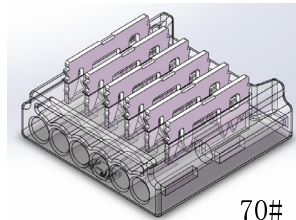
Strip-to-Wires, mainly suitable for IP20 SMD strips, 12mm width PCB, 5PIN RGBW strip



66#

Item No: AL-S-COB-5PIN-12MM-D

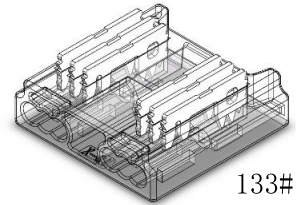
Strip-to-Wires, mainly suitable for IP20 COB strips, 12mm width PCB, 5PIN RGBW strip



70#

Item No: AL-S-SMD-6PIN-12MM-D

Strip-to-Wires, mainly suitable for IP20 SMD strips, 12mm width PCB, 6PIN RGB CCT strip



133#

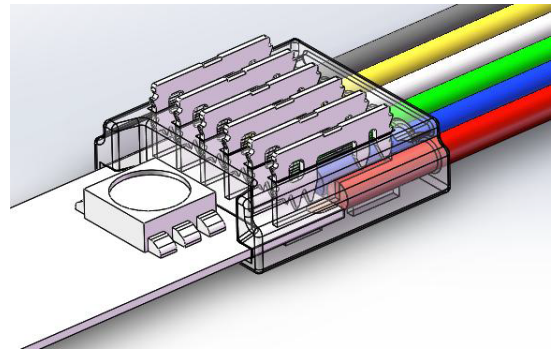
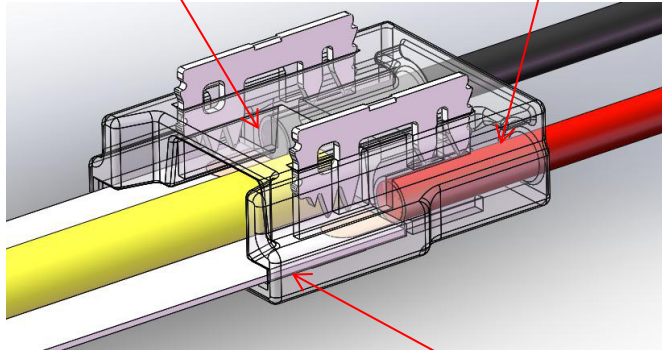
Item No: AL-S-COB-6PIN-12MM-D

Strip-to-Wires, mainly suitable for IP20 SMD strips, 12mm width PCB, 6PIN RGB CCT strip

3. Product advantages

High transparent PC material, good light transmission

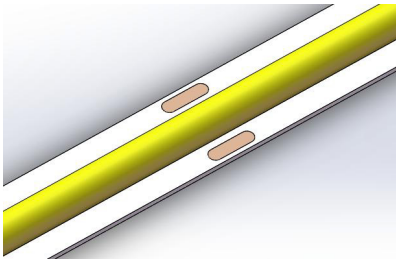
Unique non-stripping wire puncture connection design



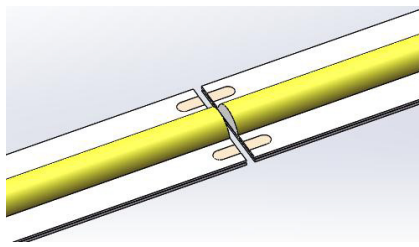
Guide slot introduction, anti-shake, more reliable fixed connection

4. Instruction

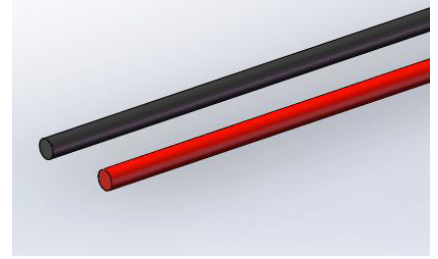
(The picture shows the 2pin operation, refer to this The operation of 3~6pin products is the same.)



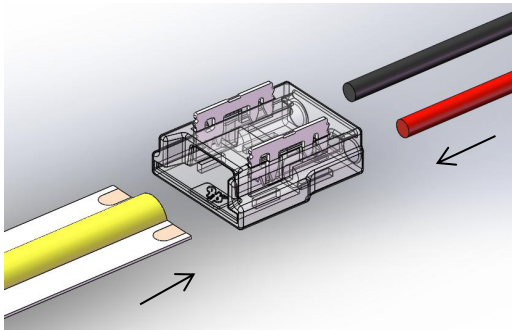
1. Prepare strip



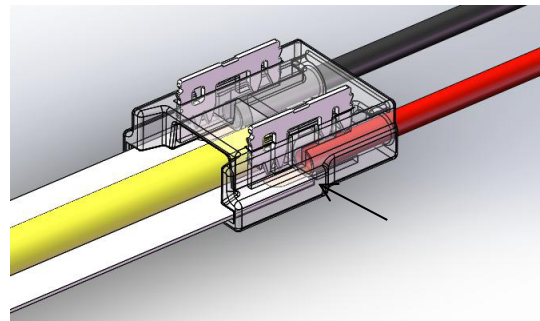
2. Cut from the middle of the pad



3. Prepare wires



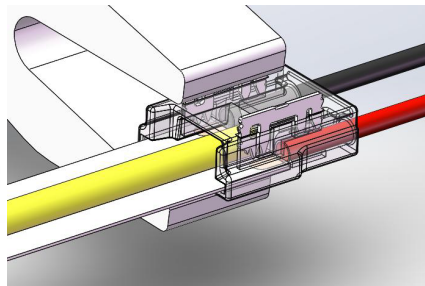
4. Push the strip and cable from two side



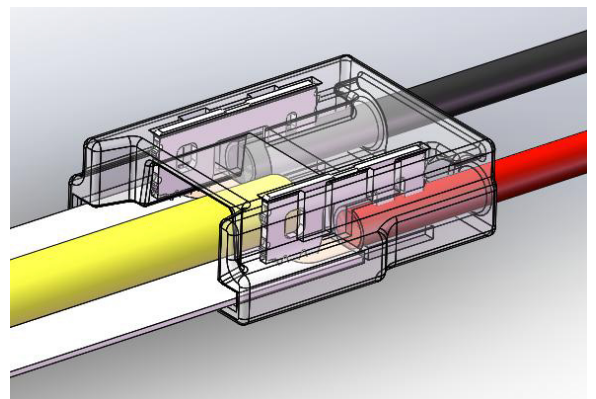
5. Push to the end



Reference tool



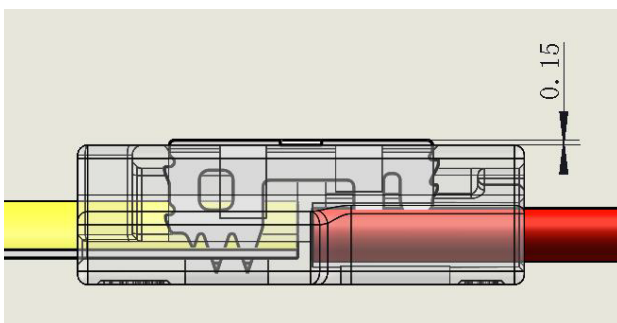
6. Use pliers to clamp the terminal to the level of the plastic surface , the operation is unilateral operation, clamp one side and then operate the other side.



7. Finished

Specifications for cables:

- a. 2~3pin products use AWG20 cable, outer diameter: $1.8 \pm 0.1 \text{mm}$;
- b. 4~6pin products use AWG22 cable, outer diameter: $1.6 \pm 0.1 \text{mm}$;
- c. COB-5mm 2pin use AWG22 cable.



5. Technical Parameters

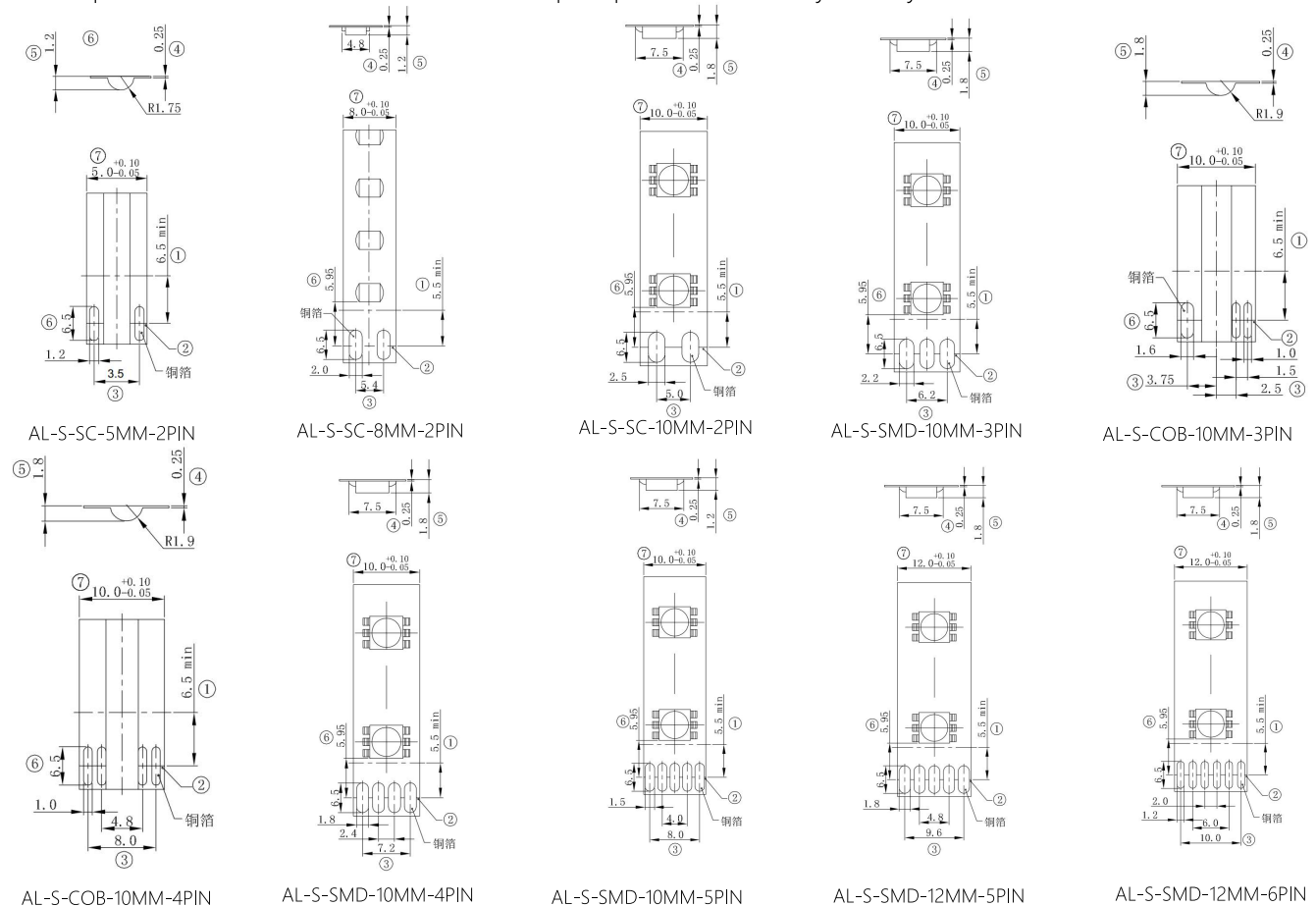
5.1 Product parameters

1. Rated Current: 6A Max
2. Rated voltage: 5V/9V/12V/18V/24V/36V/48V
3. Withstand voltage: 500V
4. Temperature resistance: 105°C
5. Working temperature: -20°C ~ +80°C
6. Salt spray test: neutral salt spray 24H
7. Allowable humidity: 15%~90%
8. Applicable strip specifications: IP20 SMD & COB strip

5.2 The PCB Circuit Laying Rules (Before purchasing connectors, please ensure that the led strip meets the following wiring requirements. Customer complaints caused by PCB wiring problems are not covered by the warranty.) :

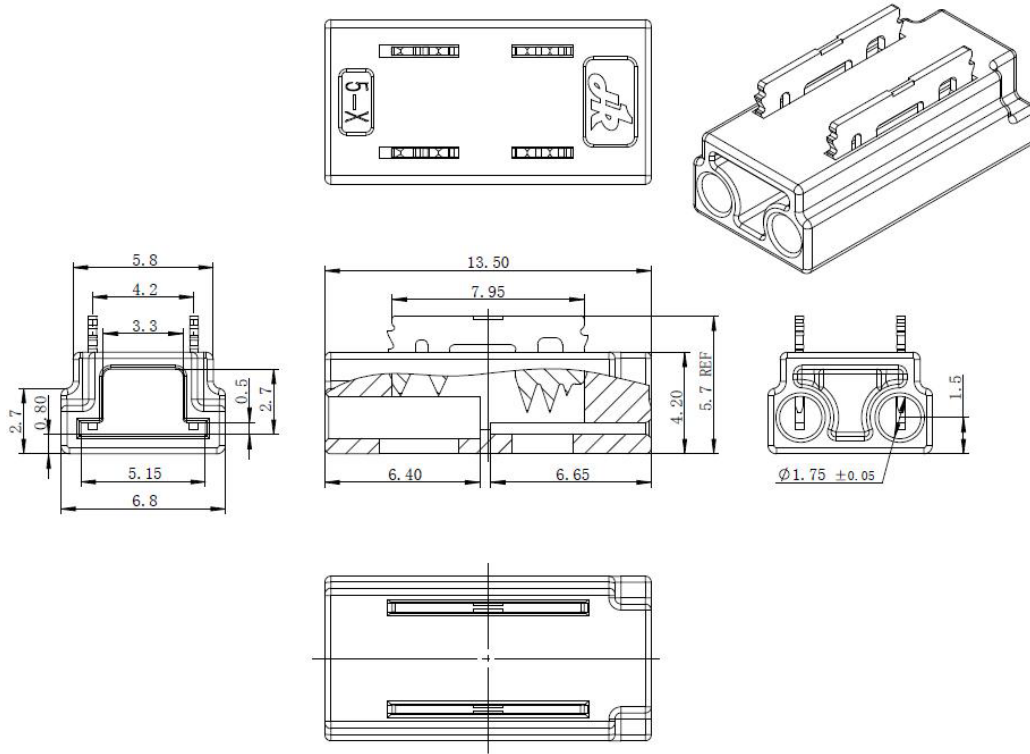
- No.1 copper foil design needs to be laid in a straight line within this range;
- No.2 Cut the middle line;
- No.3 copper foil center distance design, the center symmetry with the outer width of the light strip is 0.2 Max;
- No.4 light strip design thickness 0.30 Max
- No.5 lamp beads allow the maximum height, the tolerance range is ± 0.2 ;
- No.6 total height after sticking adhesive: 0.55 ± 0.1 ;
- No. 7 Minimum size of lamp bead laying position;
- No. 8 Design requirements for the outer width of the light strip;

All lamp beads and the outer width of the lamp strip have a center symmetry of 0.5 Max;

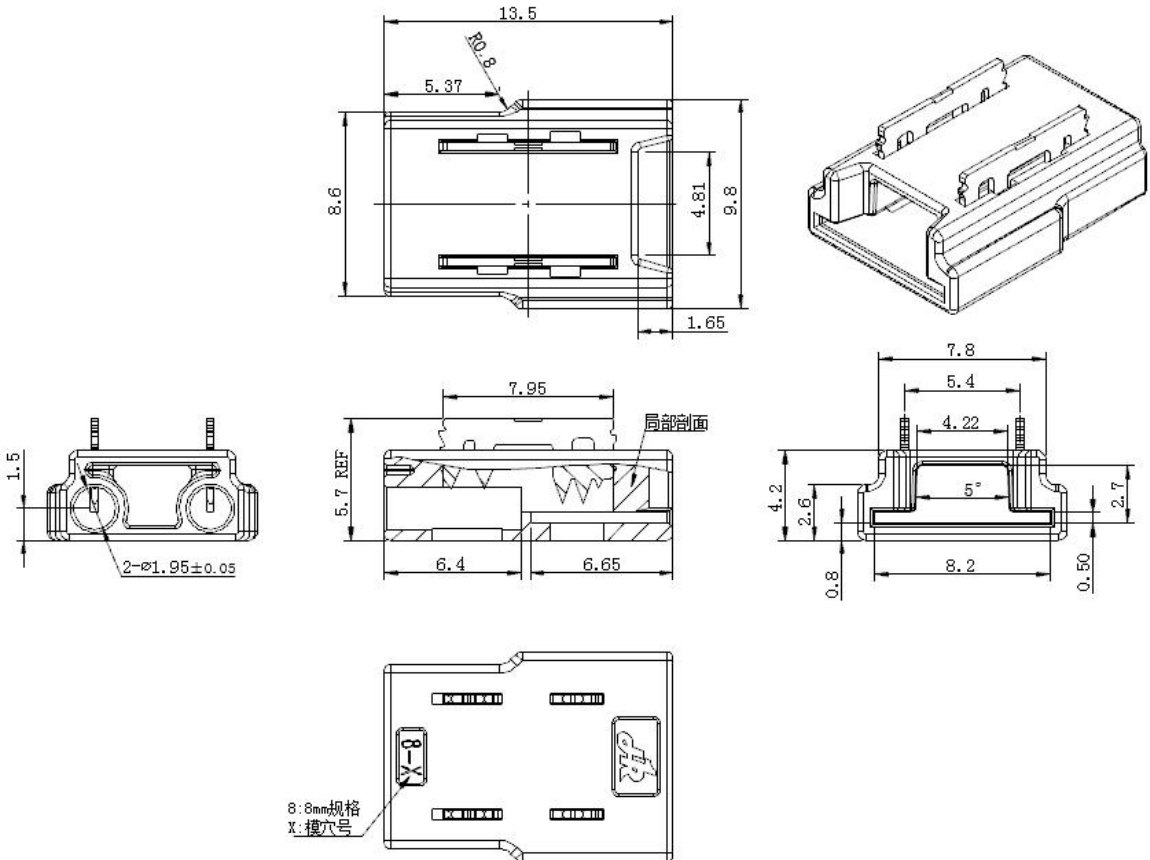


6. Product

COB 5mm Strip to Wires 2PIN (AL-S-SC-2PIN-5MM-D)
Size:



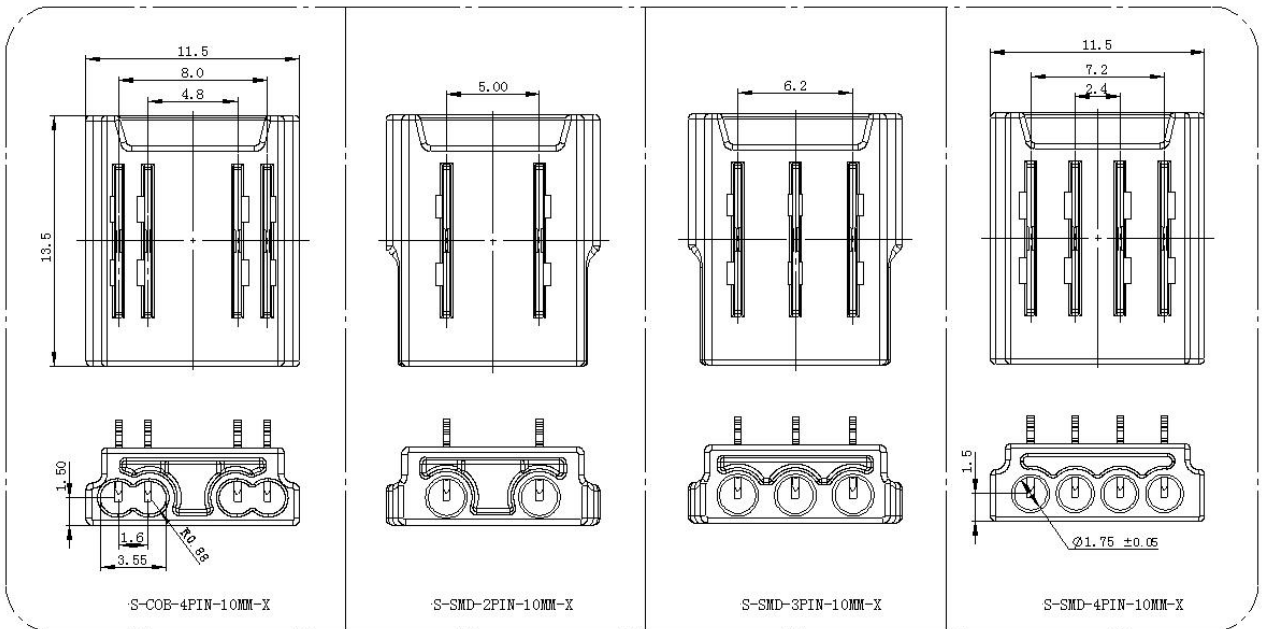
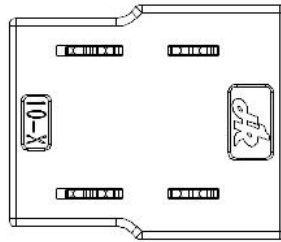
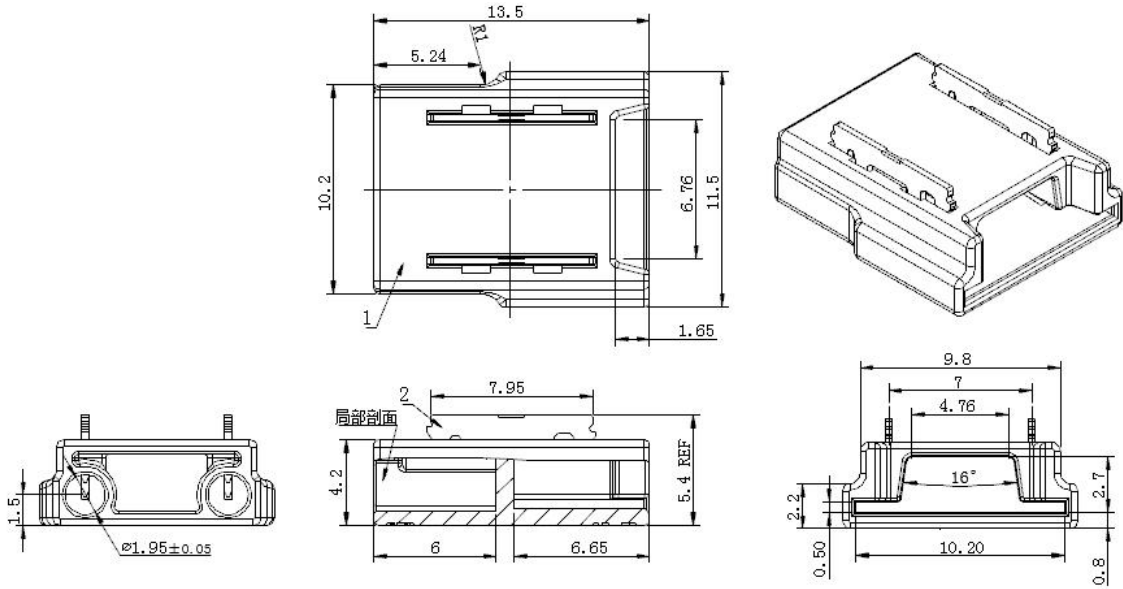
8mm Strip to Wires 2PIN (AL-S-SC-2PIN-8MM-D)



8: 8mm规格
X: 模穴号

10mm Series: Strip to Wires

COB/SMD-2PIN: AL-S-SC-2PIN-10MM-D



S-COB-4PIN-10MM-X

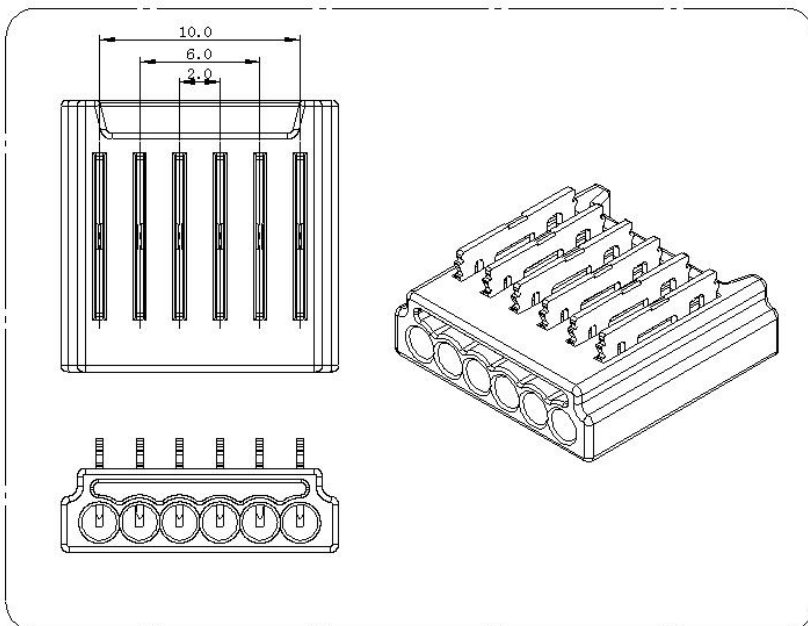
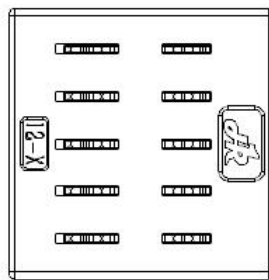
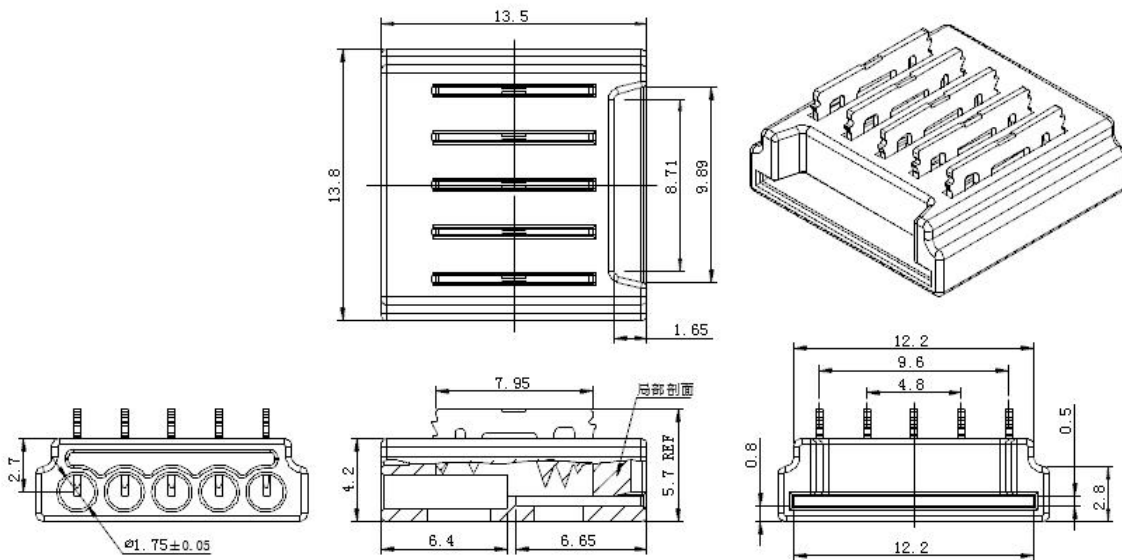
S-SMD-2PIN-10MM-X

S-SMD-3PIN-10MM-X

S-SMD-4PIN-10MM-X

SMD 12mm Strip to Wires

SMD-5PIN: AL-S-SMD-5PIN-12MM-D



SMD-6PIN: AL-S-SMD-6PIN-12MM-D

Note: The marked view is the 5PIN benchmark, and the 6PIN is the same except for the number of PINs;