



SL-DB76





Introduction

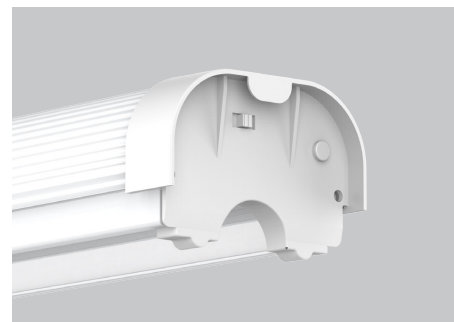
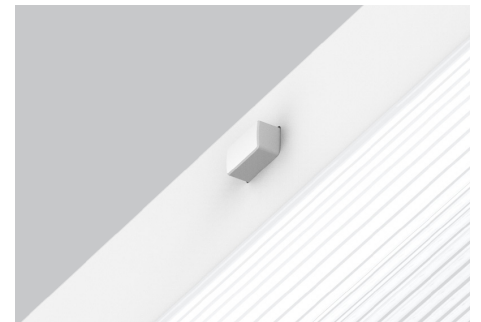
The design of batten realizes simple disassembly with 4 fast buttons. Adopts high lumen SMD LED and high light transmittance PC shade. Easy installation and maintenance with high cost performance, 600mm, 1200mm, 1500, 1800mm size optional.

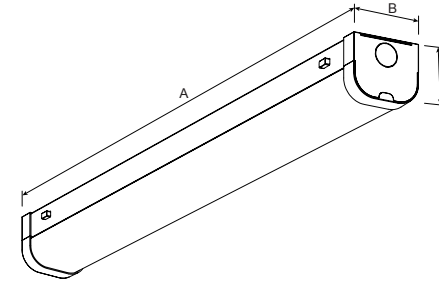
Features

- Loopin and Loopout function
- 4 fast buttons in bracket for fast disassembly.
- High lumen efficiency, 110lm/w
- Interchangeable CCT(3000/4000/5700k) with slide switch.
- IK08 impact protection.
- Emergency optional. (Not including 600mm)

Application Areas

Widely used in office, meeting room, hotel, school etc.





Technical Data Sheet

Model No.	DB76-600-20W	DB76-1200-40W	DB76-1500-50W	DB76-1500-58W	DB76-1800-58W	DB76-1800-72W		
Dimension(mm)	603*68.5*64	1203*71*64	1503*71*64		1803*71*64			
Cutout (mm)	-	-	-	-	-	-		
Watt(W)	20W	40W	50W	58W	58W	72W		
Rated Input Voltage(V)	AC230V							
Input Voltage(V)	AC200-240V							
LED Module Input	-							
Light Source	SMD							
SDCM	<6							
CCT(K)	1CCT: 3000K / 4000K / 5000K / 5700K 3CCT: 3000K + 4000K + 5700K							
CCT Selection DIP Switch	YES							
Luminous Flux (lm) ±5%	Non-DIM	1-CCT	1840~2040	4000~4400	4800~5400	5200~5850	5700~6300	6700~7500
			-	-	-	-	-	-
	DIM	3-CCT	1800~2200	4000~4600	4800~6000	5200~6500	5700~7000	6700~8350
			-	-	-	-	-	-
CRI	Ra>80							
Beam Angle (°)	120°							
UGR	-							
LED Driver	Built-in							
Dimming Option	No							
Sensor	No							
Emergency Kits	Yes							
Electrical Class	Class I							
Ingress Protection (IP Rating)	IP20							
Impact Resistance (IK Rating)	IK08							
Product Finishing(Base)	White RAL 9016							
Materials of Optics	PC							
Materials of Housing	PC / IRON							
Lifetime (hr)	50,000h							
Glow wire test (°C)	750°C							
Operating Temp. (°C)	-20°C ~45°C							
Storage Temp. (°C)	-20°C ~65°C							
Installation	Surface mount							

Measurement

Model	Dimension(mm)			Size(mm)	Product Weight (Kg)		Package weight (Kg)		Carton Size(cm)	Qty/CTN	20GP (pcs)	40HQ (pcs)
	A	B	C		N.W/PC	G.W/PC	N.W/CTN	G.W/CTN				
600	603	71	64	603*71*64	0.65	0.78	7.8	11	67*32.8*22.7	12PCS	7080	15840
1200	1203	71	64	1203*71*64	1.28	1.53	15.4	20.8	127*32.8*22.7	12PCS	3600	8316
1500	1503	71	64	1503*71*64	1.56	1.87	18.7	25	157*32.8*22.7	12PCS	2880	6732
1800	1803	71	64	1803*71*64	2.2	12.65	13.2	19	187*25.5*16	6PCS	2268	5280

Driver Datasheet (Non-Dimmable)

Total load wattage		20W	40W	50W	58W	72W
Output	Output Voltage range	DC60-72V	DC65-82V	DC70-88V	DC70-88V	DC70-88V
	Rated output current	260mA	500mA	510mA	650mA	800mA
	Line Regulation	±5%				
	Setup, Rise Time	≤0.5S				
Input	Flickering Index	-				
	Input Voltage	AC230V				
	Rated Input Voltage(V)	AC200-240V				
	Frequency	50/60Hz				
	Input Current	≤0.12A	≤0.23A	≤0.28A	≤0.36A	≤0.45A
	Rated Input Current	0.11A	0.19A	0.24A	0.28A	0.34A
	Power Factor	0.9				
	THD	-	≤20%			
	Efficiency	85%	89%	89%	89%	89%
	No load wattage	<0.5W				
Protection	Short circuit protection	Pass				
	Over voltage protection	Pass				
	Over temperature protection	Pass				
Safety & EMC	Withstand voltage	-				
	Isolation Resistance	-				
	Surge	IEC61000-4-5 (L-N:0.5KV, L/N-PG:1KV)		IEC61000-4-5(L-N:1KV, L/N-PG:2KV)		
	EMC Emission	EN55015, EN61000-3-2				
EMC Immunity	EN61000-4-2,3,4,5,6,8,11; EN61547					

Driver Datasheet (Emergency)

Power	3W
Rated Input Voltage(V)	AC200-240V
Frequency	50/60Hz
Input Voltage	AC180-264V
Efficiency	≥70%
Total load wattage	3W±0.5W
Power Factor	0.5
Rated Input Current	≤0.05A
Full load output voltage	DC66-90V
Rated output current	DC40-20mA
Output current range	DC40-20mA±5%
Power tolerance	±5%
Current output tolerance	±5%
Battery duration	>3h
Charge Period	<24h
Short circuit protection	PASS
Over voltage protection	PASS
Over temperature protection	PASS
THD	-
Surge	-
Withstand voltage	-

Installation Procedure

WARNING ⚡

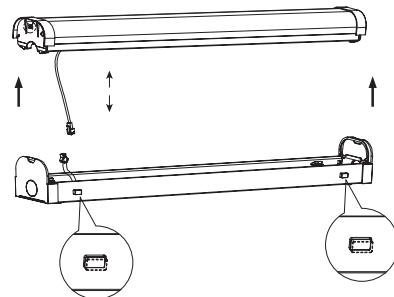
1. Switch off before installation / maintenance.
2. Switch on only after complete installation and examination of the circuit.
3. Professional electrician for installation and maintenance only.



Turn Off power supply before starting any installation. Read instructions & check you have all the tools & accessories to complete the installation correctly.

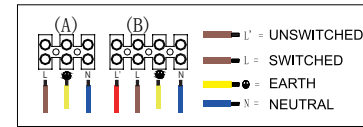
How to install

Step 1

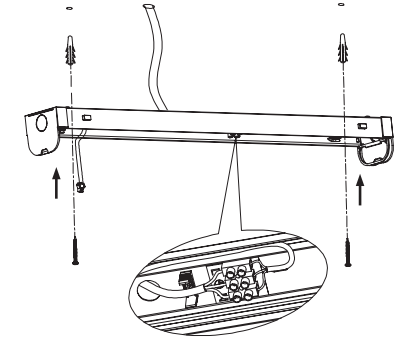


Press the snap-on button and remove the cover.

Step 2

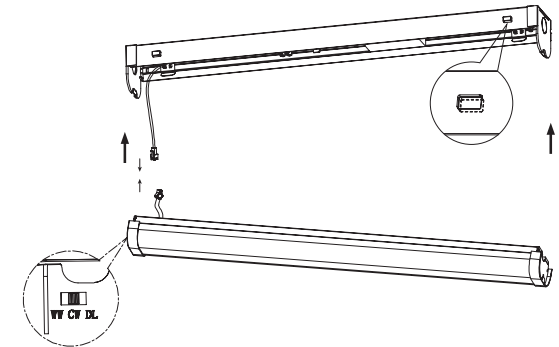


(A) wiring diagram only for Non-emergency function light
(B) wiring diagram only for Emergency function light



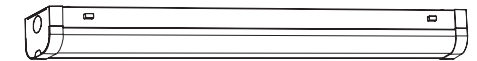
Knock plastic anchor into ceiling. Connect the cable to terminal block. Fix the base to the ceiling.

Step 3



Slide the preferred CCT, connect the DC plug. Press the snap-on button and fix the cover to the base.

Step 4



Installation complete.