

LED Explosion-proof Light



SL-EP-01-G3

โคมกันระเบิด สำหรับติดตั้งพื้นที่เพดานสูง เช่น โรงงาน
ปั๊มน้ำมัน และ โรงกลั่น เป็นต้น



Better solutions for Led Gas Station Canopy Light

IP65 water-proof

AC100-277V 50/60Hz

Easy Installation

130Lm/w

Operating Temp.: -40°C~+50°C

Storage Temp.: -40°C~+80°C



Options

| Driver | Housin Color | CCT | Beam Angle |
|------------------|--------------|-------|------------|
| Mean Well Driver | Grey | 3000K | 90° |
| | Orange | 4000K | 120° |
| | | 5000K | 60° |
| | | 5700K | 30° |

Application

Refineries and fuel depots, marine vessels, chemical production and processing, food processing, mining, wineries, other high humidity, high temperature, and dusty places

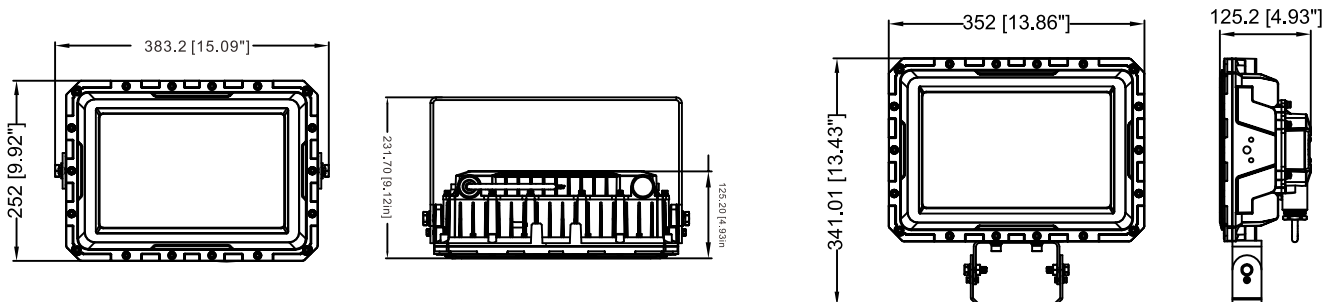
Classifications & Ratings

- Class I, Division 1, Groups C, D
- Class I, Division 2, Groups A, B, C, D
- Class II, Division 2, Groups E, F, G
- Class III
- Zone 1, Zone 2, Zone 21, Zone 22

Specifications

| Item | Power | Luminous Efficacy | Leds | CRI | Weight | Beam Angle |
|-----------------|-------|-------------------|---------------|-----|------------------|------------------|
| SL-EP60W-01-G3 | 60W | 130Lm/W | Lumileds 3030 | >80 | 10.0kg(22.0lbs) | 90°/120°/60°/30° |
| SL-EP80W-01-G3 | 80W | 130Lm/W | Lumileds 3030 | >80 | 10.0kg(22.0lbs) | 90°/120°/60°/30° |
| SL-EP100W-01-G3 | 100W | 130Lm/W | Lumileds 3030 | >80 | 10.0kg(22.0lbs) | 90°/120°/60°/30° |
| SL-EP120W-01-G3 | 120W | 130Lm/W | Lumileds 3030 | >80 | 10.0kg(22.0lbs) | 90°/120°/60°/30° |
| SL-EP150W-01-G3 | 150W | 130Lm/W | Lumileds 3030 | >80 | 10.0kg(22.0lbs) | 90°/120°/60°/30° |
| SL-EP180W-01-G3 | 180W | 130Lm/W | Lumileds 3030 | >80 | 10.0kg(22.0lbs) | 90°/120°/60°/30° |
| SL-EP200W-01-G3 | 200W | 130Lm/W | Lumileds 3030 | >80 | 10.0kg(22.0lbs) | 90°/120°/60°/30° |
| SL-EP400W-01-G3 | 400W | 130Lm/W | Lumileds 3030 | >80 | 22.0kg(48.5lbs) | 90°/120°/60°/30° |
| SL-EP800W-01-G3 | 800W | 130Lm/W | Lumileds 3030 | >80 | 48.0kg(105.8lbs) | 90°/120°/60°/30° |

Dimensions(mm)



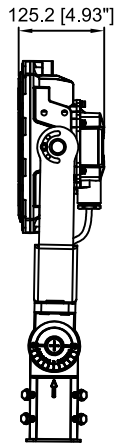
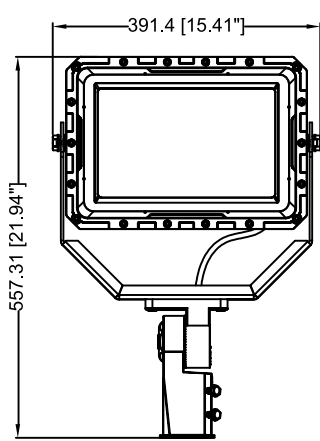
60W/80W/100W/120W/150W/180W/200W-P1

60W/80W/100W/120W/150W/180W/200W-P2

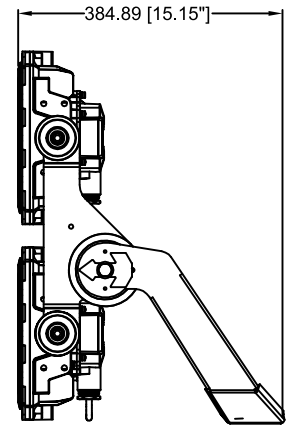
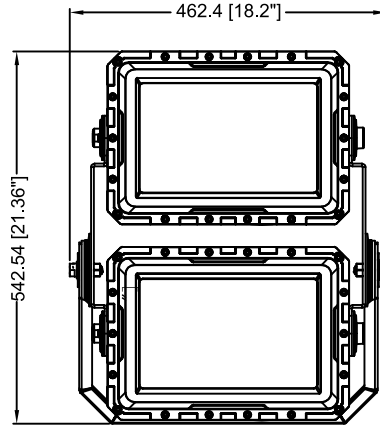
LED Explosion-proof Light



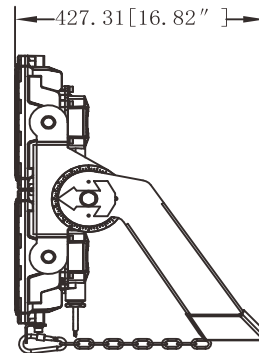
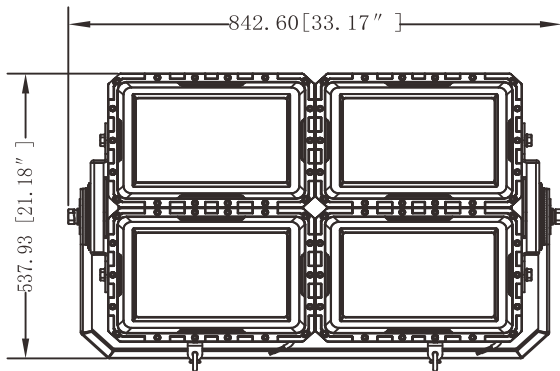
SL-EP-01-G3



60W/80W/100W/120W/150W/180W/200W-P3



400W-P1



800W-P1

Model Options



60W/80W/100W/120W/150W/180W/200W

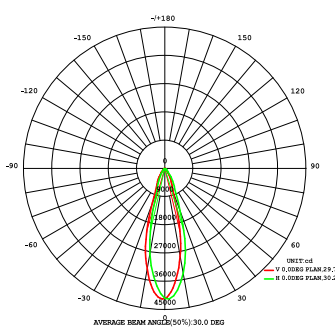


400W

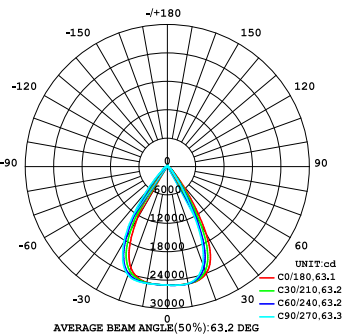


800W

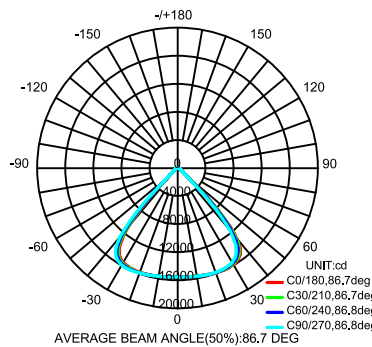
Photometry



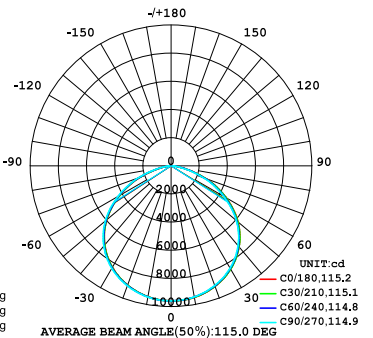
30°



60°



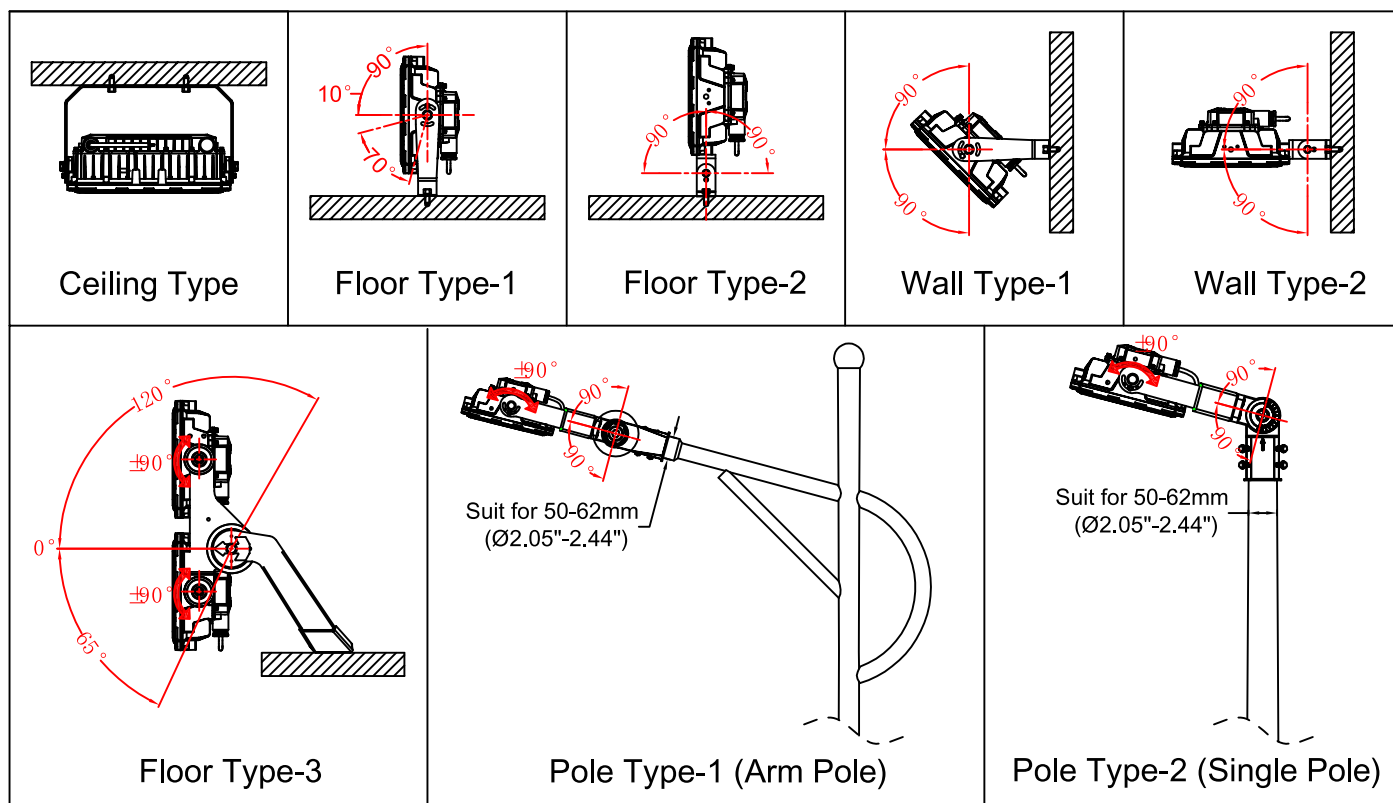
90°



120°



Installation and use



Packing Spec

| Item | Box | | | Carton | | |
|------------------|-----------------|------------------|---------|-----------------|--------------|---------|
| | Measurement(mm) | Gross weight | Pcs/box | Measurement(mm) | Gross weight | Pcs/box |
| EP60W~200W-01-G3 | L442*W402*H220 | 11.3kg(24.9lbs) | 1 | / | / | / |
| EP400W-01-G3 | L660*W530*H280 | 23.5kg(51.8lbs) | 1 | / | / | / |
| EP800W-01-G3 | L925*W770*H310 | 53.0kg(116.9lbs) | 1 | / | / | / |