

SL-ST200WiL

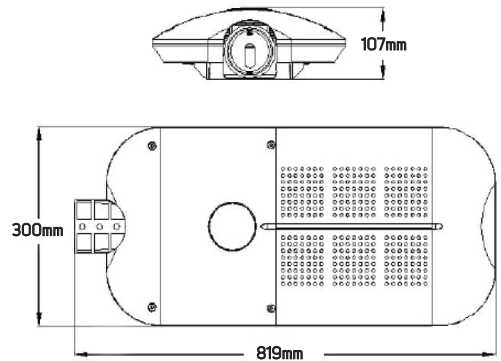
Application

ใช้สำหรับติดตั้งตามถนนสายหลัก สายรอง ถนนตามโรงงานอุตสาหกรรม หมู่บ้านจัดสรรฯ ฯลฯ



Specification

Housing	Die-cast aluminum
Finishing	Powder coated
Lens	Polycarbonate
Dimension	300*819*107 mm.
Mounting	Pole Mount
Power	200W
Power Factor	>0.98
THDi	<10
Surge Protection	10kV(L-L), 10kV(L-E) up to 20kV
LED Chip	Philips
Light Source	PCB SMD Module
Light Colour	3000K/4000K/5700K/6500K
Luminous Flux	30,000lm.
Efficiency	150lm./W
Beam Angle	50x150D/70x150D/75x160D
CRI	Ra>70 (>80 Optional)
Input Voltage	100-277VAC ,50/60Hz
IP Rate	IP66, IP67
IK Rate	IK08
LED Lifetime	50,000 Hrs.
Operating Temperature	-40 ° C to +50 ° C
Control Optional	1-10V , PWM, Photocall control, Zigbee
Luminaire net weigh	8.05 ±0.2kg

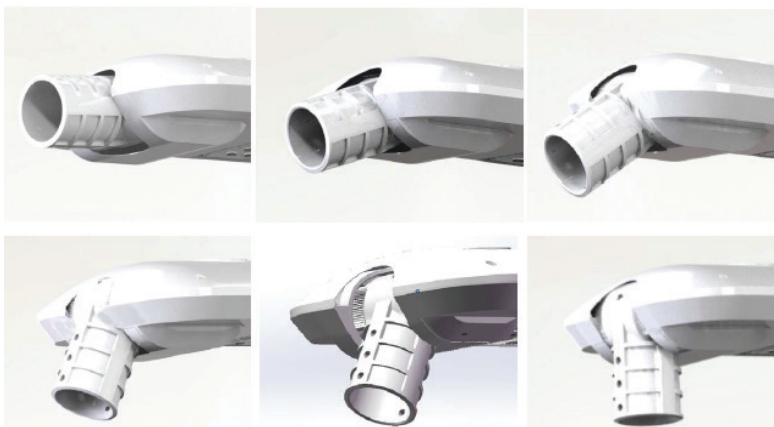


Light Distribution Curve

Ordering Data

Model	Watt	CCT	Beam
SL-ST200WiL	150W	3000K	50x150D
		4000K	70x150D
		5700K	75x160D
		6500K	

Installation



Lens Option

