

LED Explosion-proof Light



SL-EP-01-G1

โคมกันระเบิด สำหรับติดตั้งพื้นที่เขตแดนสูง เช่น โรงงาน
ปั๊มน้ำมัน และ โรงกลั่น เป็นต้น



Better solutions for LED Explosion-proof Light

- IP65 water-proof
- Easy Installation

- AC100-277V 50/60Hz
- 140Lm/w

Operating Temp.: -40°C~+50°C

Storage Temp.: -40°C~+80°C



Options

| Driver | Housin Color | CCT | Beam Angle |
|--------------|----------------|----------------------------------|------------|
| Sosen Driver | Grey Orange | 3000K 4000K 5000K 5700K | 120° |



Application

Refineries and fuel depots, marine vessels, chemical production and processing, food processing, mining, wineries, other high humidity, high temperature, and dusty places

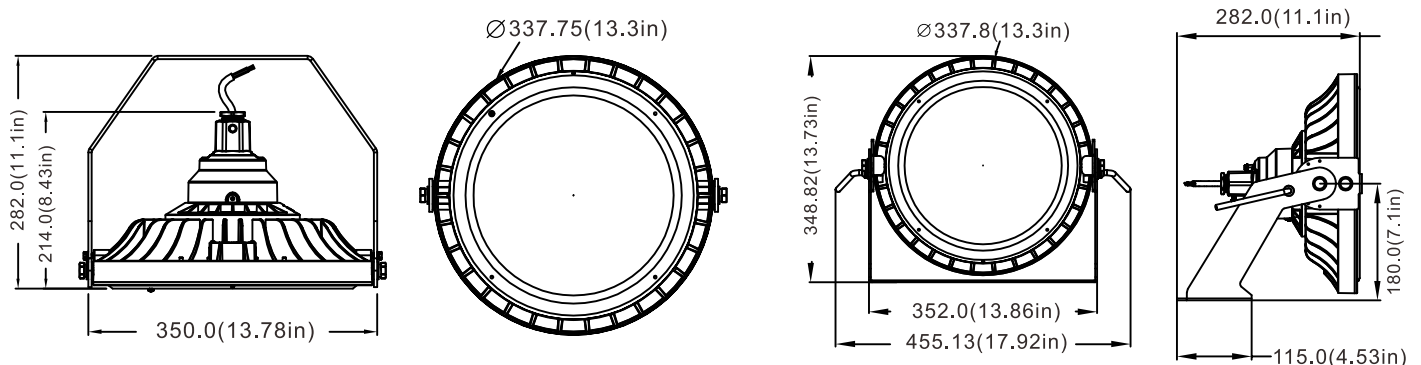
Classifications & Ratings

- Class I, Division 1, Groups C, D
- Class I, Division 2, Groups A, B, C, D
- Class II, Division 2, Groups E, F, G
- Class III
- Zone 1, Zone 2, Zone 21, Zone 22

Specifications

| Item | Power | Luminous Efficacy | Leds | CRI | Weight | Beam Angle |
|-----------------|-------|-------------------|---------------|-----|----------------|------------|
| SL-EP100W-01-G1 | 100W | 140Lm/W | Lumileds 3030 | >80 | 9.0kg(19.8lbs) | 120° |
| SL-EP120W-01-G1 | 120W | 140Lm/W | Lumileds 3030 | >80 | 9.0kg(19.8lbs) | 120° |
| SL-EP150W-01-G1 | 150W | 140Lm/W | Lumileds 3030 | >80 | 9.0kg(19.8lbs) | 120° |
| SL-EP180W-01-G1 | 180W | 140Lm/W | Lumileds 3030 | >80 | 9.0kg(19.8lbs) | 120° |
| SL-EP200W-01-G1 | 200W | 140Lm/W | Lumileds 3030 | >80 | 9.0kg(19.8lbs) | 120° |

Dimensions(mm)



100W/120W/150W/180W/200W-P1

100W/120W/150W/180W/200W-P2

LED Explosion-proof Light

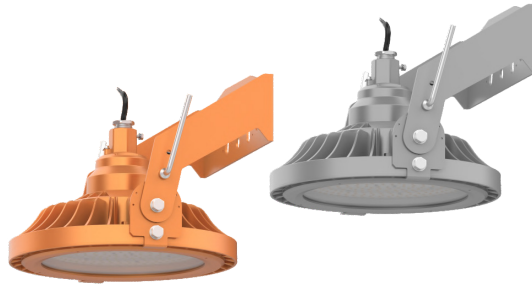


SL-EP-01-G1

Model Options

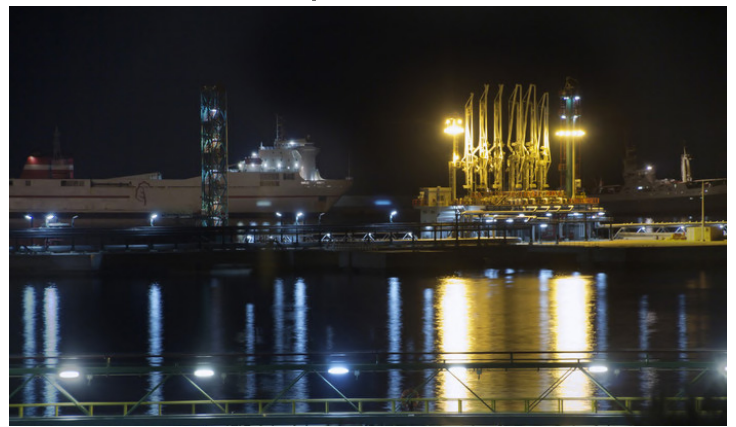
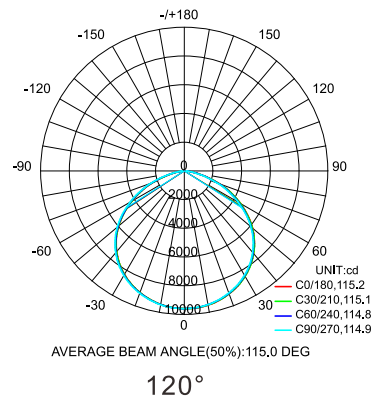


P1



P2

Photometry



Installation and use

| | | | |
|--------------|-------------------|--------------|------------------------------|
| | | | |
| Ceiling Type | Tube hanging Type | Floor Type-1 | Floor Type-2 |
| | | | |
| Wall Type-1 | Wall Type-2 | Wall Type-3 | Bending electrical tube Type |

Packing Spec

| Item | Box | | | Carton | | |
|----------------------------------|-----------------|-----------------|---------|-----------------|--------------|---------|
| | Measurement(mm) | Gross weight | Pcs/box | Measurement(mm) | Gross weight | Pcs/box |
| EP100W/120W/150W/180W/200W-01-G1 | L512*W432*H345 | 10.0kg(22.0lbs) | 1 | / | / | / |