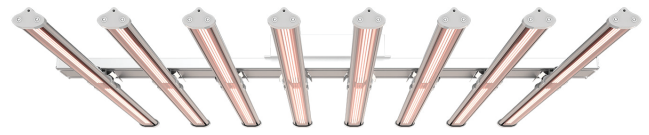


SL-HL05-600-Spec

Application

ใช้สำหรับติดตั้งการปลูกกัญชาในแนวตั้ง

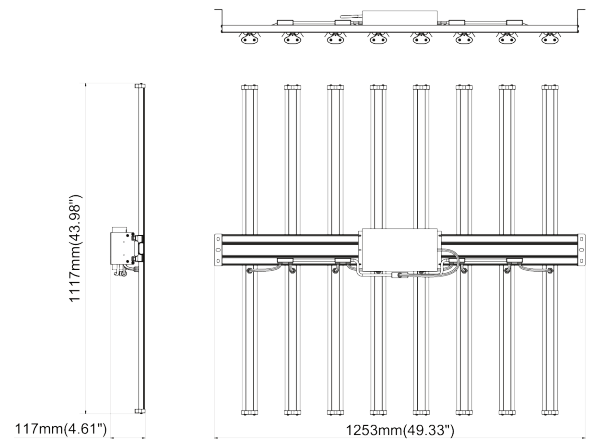


Specification

Housing	Die-cast aluminium
Finishing	Powder coated in black
Lens	Polycarbonate
Gasket	Silicone rubber
Dimension	1253x1117x116.7 mm.
Mounting	Hook or chain suspension
Power	600W
Light Source	SMD LED Module
Light Colour	-
Efficiency	2.3lm /W
Beam Angle	-
CRI , Ra	Ra>70 (> 80 Optional)
Input Voltage	100-277VAC ,50/60Hz
IP Rate	IP65
LED Lifetime	50,000 hrs.
Control Optional	1-10V , PWM



Dimension Drawing

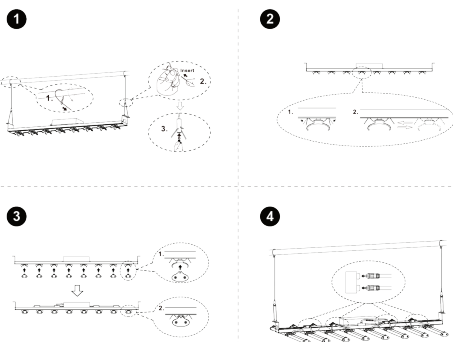


Ordering Data

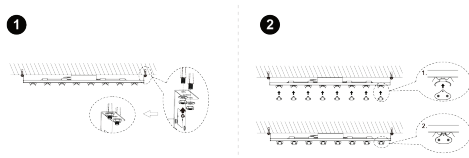
Model	Watt	CCT
SL-HL05-600	600W	-

Related Optionals

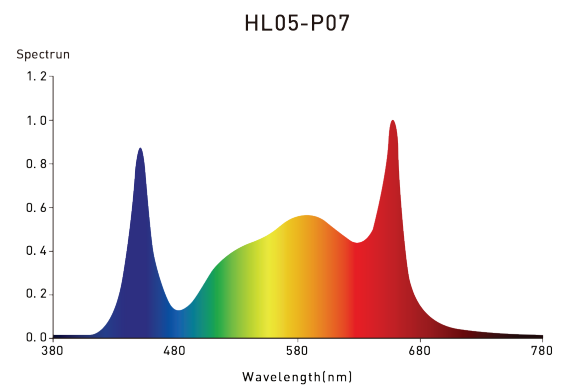
A. Wire Suspension Installation



B. Ceiling Mount Installation



Optimal Spectrum



Applications

